

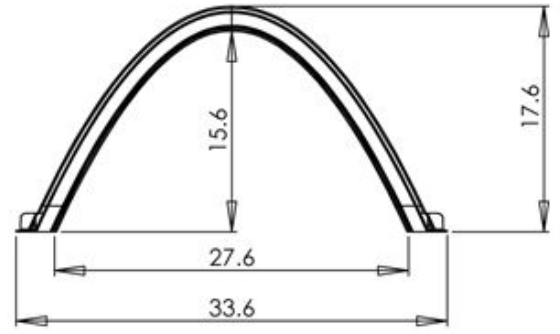
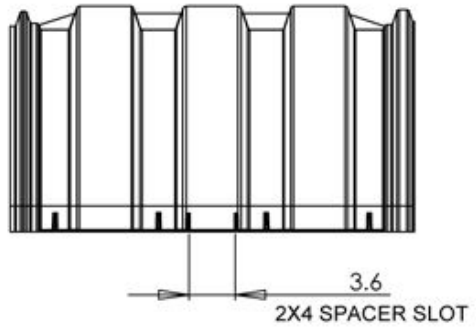
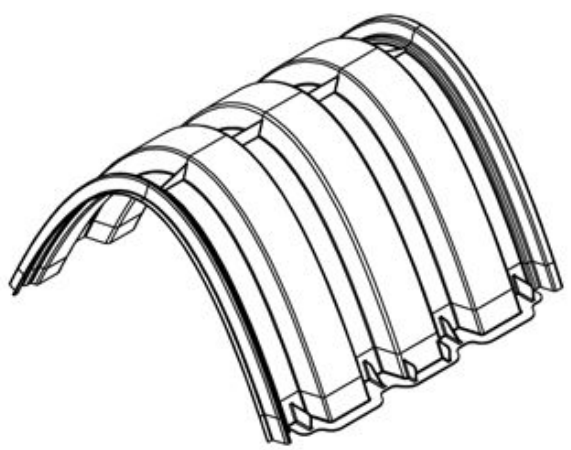
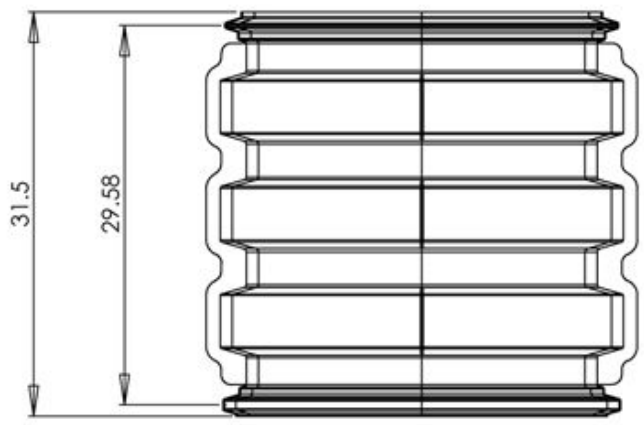
8 7 6 5 4 3 2 1

D

C

B

A



BARE CHAMBER STORAGE: 5.6 CF

MIN. INSTALLED STORAGE: 11.5 CF  
 \*ASSUMING A MIN OF 6" STONE ABOVE AND BELOW AND 7.5" BETWEEN ROWS WITH 40% STONE POROSITY

M-6 CHAMBER DETAILS TESTED AND RATED FOR H-30 LOAD CONDITIONS

CHAMBER WEIGHT: 12 POUNDS

CHAMBER LAYUP LENGTH 29.58"

2.13 CUBIC FEET OF STORAGE PER LINER FOOT WITHOUT STONE

4.38 CUBIC FEET OF STORAGE PER LINER FOOT WITH STONE

**PROPRIETARY AND CONFIDENTIAL**  
 THE INFORMATION CONTAINED IN THIS DRAWING IS THE SOLE PROPERTY OF [INSERT COMPANY NAME HERE]. ANY REPRODUCTION IN PART OR AS A WHOLE WITHOUT THE WRITTEN PERMISSION OF [INSERT COMPANY NAME HERE] IS PROHIBITED.

		UNLESS OTHERWISE SPECIFIED:		NAME	DATE	<b>M-6 TRITON CHAMBER</b>	
		DIMENSIONS ARE IN INCHES		DRAWN		TITLE:	
		TOLERANCES:		CHECKED			
		FRACTIONAL ±		ENG APPR.			
		ANGULAR: MACH ± BEND ±		MFG APPR.			
		TWO PLACE DECIMAL ±		Q.A.			
		THREE PLACE DECIMAL ±		COMMENTS:		SIZE DWG. NO. REV	
		INTERPRET GEOMETRIC TOLERANCING PER:				B M-6 Rev B	
		MATERIAL:				SCALE: 1:10 WEIGHT: SHEET 1 OF 1	
		FINISH:					
NEXT ASSY		USED ON					
APPLICATION		DO NOT SCALE DRAWING					

8 7 6 5 4 3 2 1