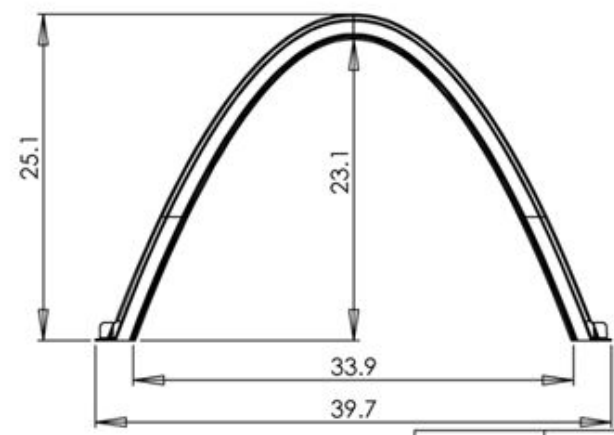
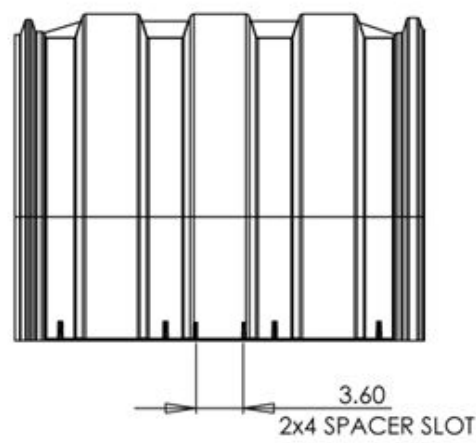
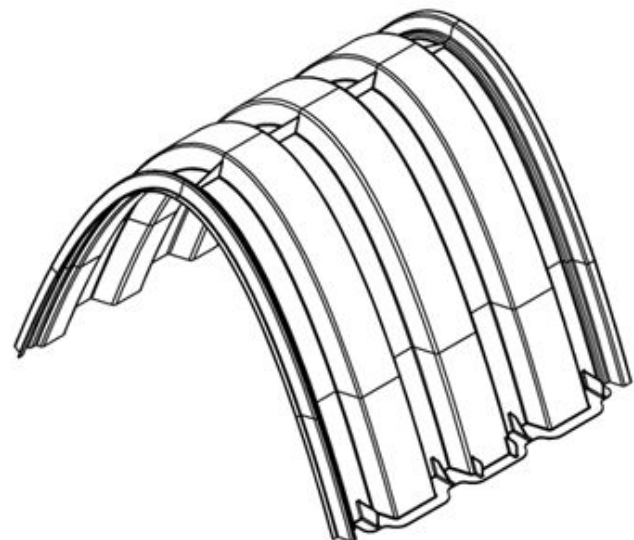
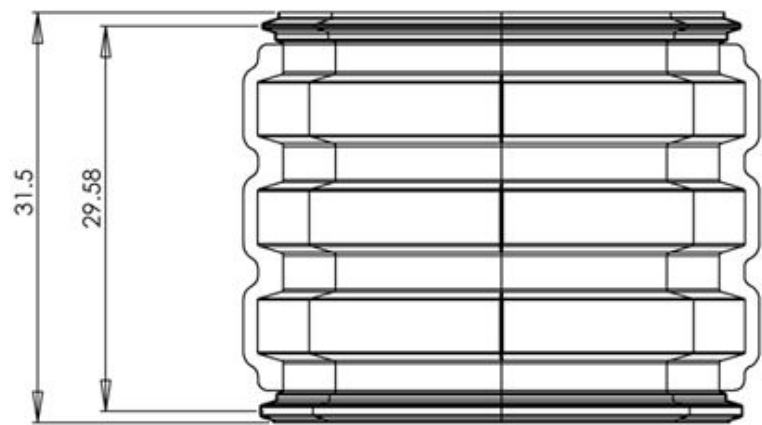


8 7 6 5 4 3 2 1



BARE CHAMBER STORAGE: 9.8 CF
MIN. INSTALLED STORAGE: 17.6 CF
 *ASSUMING A MIN. OF 6" STONE ABOVE AND BELOW AND 7.5" BETWEEN ROWS WITH 40% STONE POROSITY

M-10 CHAMBER DETAILS TESTED AND RATED FOR H-30 LOAD CONDITIONS

CHAMBER WEIGHT: 15 POUNDS

CHAMBER LAYUP LENGTH:
 3.73 CUBIC FEET OF STORAGE PER LINER FOOT WITHOUT STONE
 6.70 CUBIC FEET OF STORAGE PER LINER FOOT WITH STONE

PROPRIETARY AND CONFIDENTIAL
 THE INFORMATION CONTAINED IN THIS DRAWING IS THE SOLE PROPERTY OF [INSERT COMPANY NAME HERE]. ANY REPRODUCTION IN PART OR AS A WHOLE WITHOUT THE WRITTEN PERMISSION OF [INSERT COMPANY NAME HERE] IS PROHIBITED.

		UNLESS OTHERWISE SPECIFIED:		NAME	DATE	C-10 TRITON CHAMBER	
		DIMENSIONS ARE IN INCHES		DRAWN		TITLE:	
		TOLERANCES:		CHECKED			
		FRACTIONAL ±		ENG APPR.			
		ANGULAR: MATCH ± BEND ±		MFG APPR.			
		TWO PLACE DECIMAL ±		Q.A.			
		THREE PLACE DECIMAL ±		COMMENTS:		SIZE DWG. NO. REV	
		INTERPRET GEOMETRIC TOLERANCING PER:				B C-10 Rev B	
		MATERIAL:				SCALE: 1:10 WEIGHT: SHEET 1 OF 1	
		FINISH:					
NEXT ASSY	USED ON	APPLICATION					
		DO NOT SCALE DRAWING					

8 7 6 5 4 3 2 1